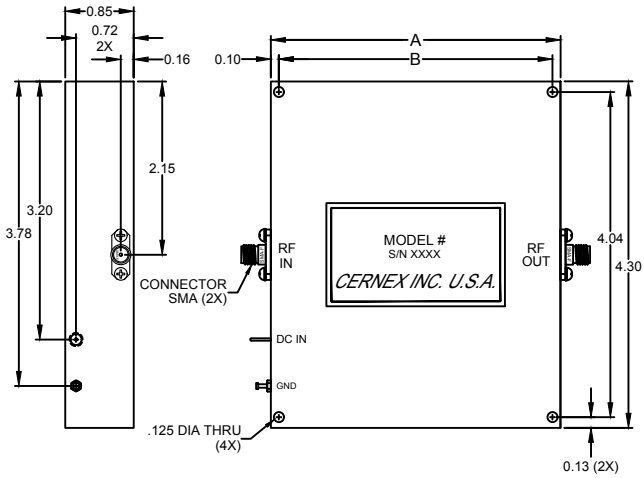
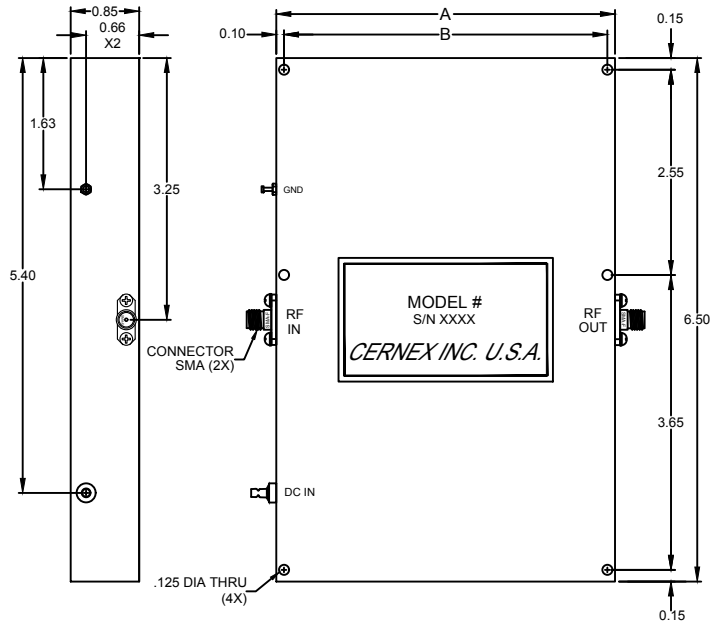


### ONC Series



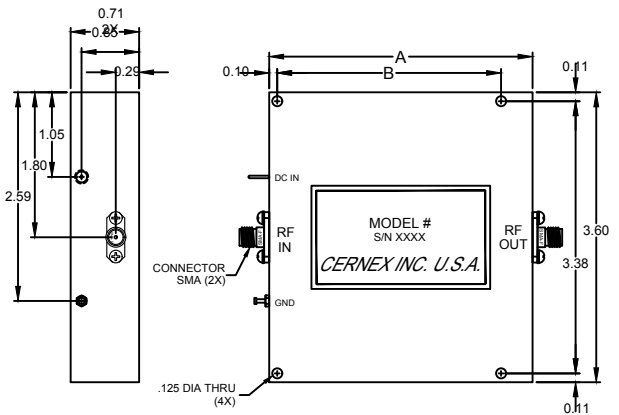
| CASE TYPE | DIMENSIONS |      |
|-----------|------------|------|
|           | A          | B    |
| ONC13     | 3.30       | 3.11 |
| ONC14     | 3.53       | 3.34 |
| ONC15     | 3.77       | 3.57 |
| ONC16     | 3.97       | 3.78 |

### PNC Series



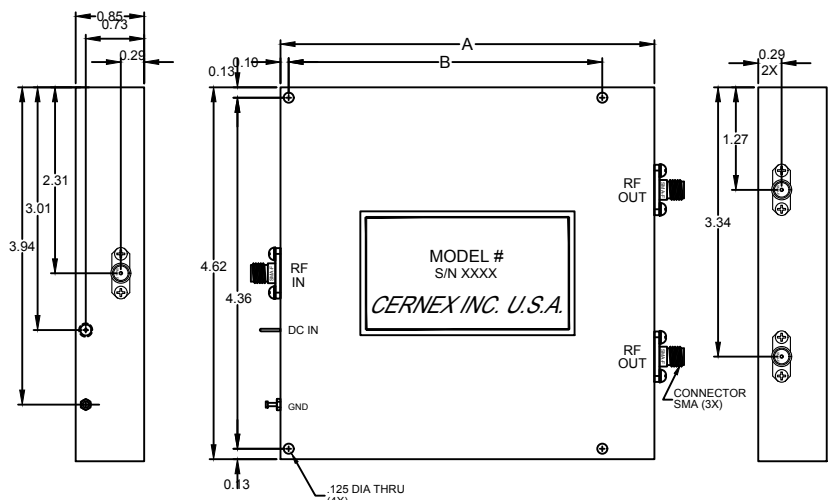
| CASE TYPE | DIMENSIONS |      |
|-----------|------------|------|
|           | A          | B    |
| PNC17     | 4.21       | 4.02 |
| PNC18     | 4.43       | 4.24 |
| PNC19     | 4.65       | 4.46 |
| PNC20     | 4.87       | 4.68 |

### QND Series



| CASE TYPE | DIMENSIONS |      |
|-----------|------------|------|
|           | A          | B    |
| QND8      | 3.27       | 2.78 |
| QND9      | 3.50       | 3.01 |
| QND10     | 3.72       | 3.23 |
| QND11     | 3.95       | 3.46 |

### OND Series



| CASE TYPE | DIMENSIONS |      |
|-----------|------------|------|
|           | A          | B    |
| OND15     | 4.64       | 3.89 |